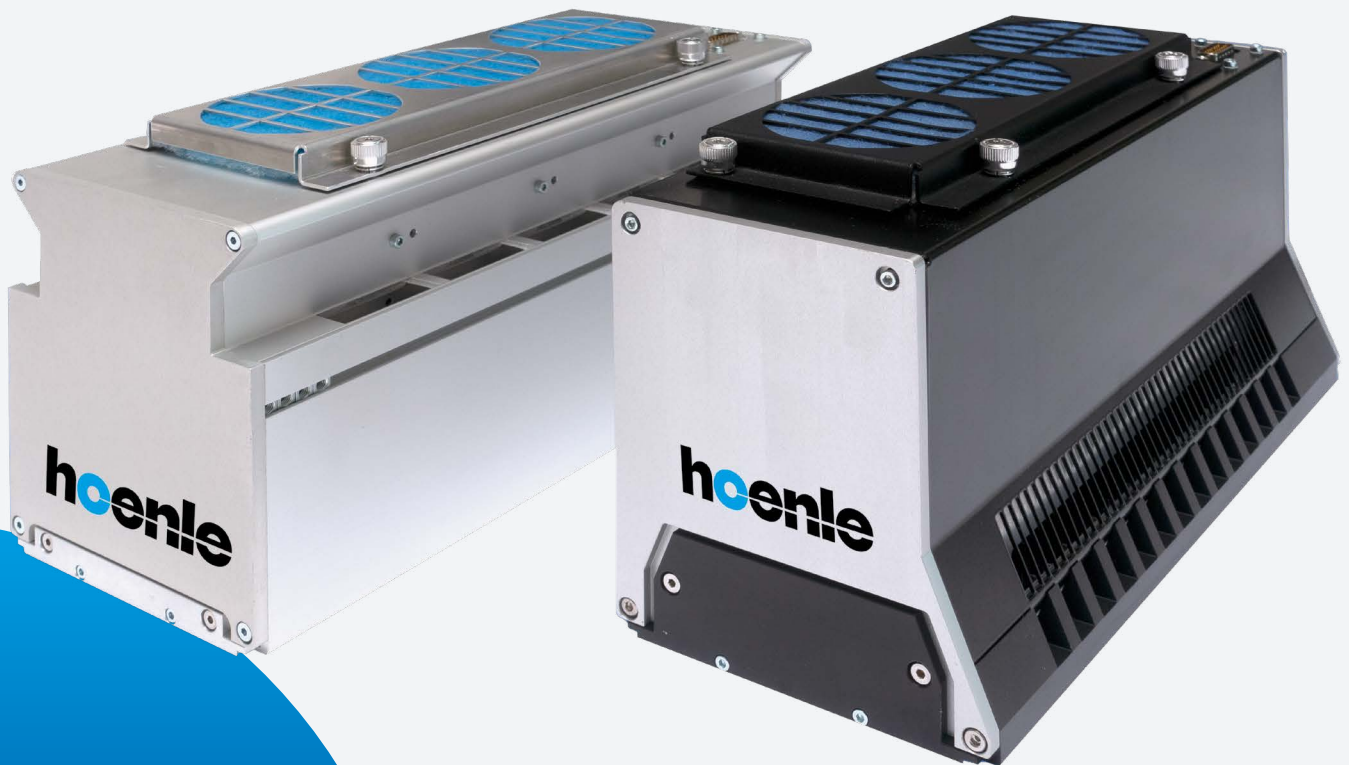


JETCURE LED



JETCURE LED

jetCURE LED S
with cooling air outlet at
one side

jetCURE LED T
with cooling air outlet at
both sides

FEATURES

- High irradiation power
- Different wavelengths
- length depends on application
- Light aperture 20 mm or 40 mm
- Continuous power control

BENEFITS

- Air cooling
- Low weight
- Low temperature load
- Low power consumption
- No warm-up phase
- Ozone-free
- Long service life

JETCURE LED

The jetCURE LED is a high-performance array for intermediate curing (pinning) and final curing in printing applications. Other applications are the curing of varnishes, adhesives and pottings. The jetCURE LED is available in two versions which differ in their cooling air duct: jetCURE LED T has got a cooling air outlet on both sides of the housing. The exhaust air is discharged to the top. jetCURE LED S has got an one-sided cooling air outlet. The exhaust air is discharged sideways. Both versions allow a modular (grid: 41 mm) and continuous power control. The jetCURE LED is available in the wavelengths 365, 385, 395 and 405 nm +/- 10 nm.

ADVANTAGES OF LED TECHNOLOGY

The typical LED service life is more than 20.000 hours*. The LEDs can be switched-on and -off as often as required without any warm-up or cooling phase and enable cyclic operation. LEDs do not emit infrared irradiation. Thus they generate only low temperature load on the substrate so that even heat-sensitive materials can be irradiated.

SPECIAL FEATURES

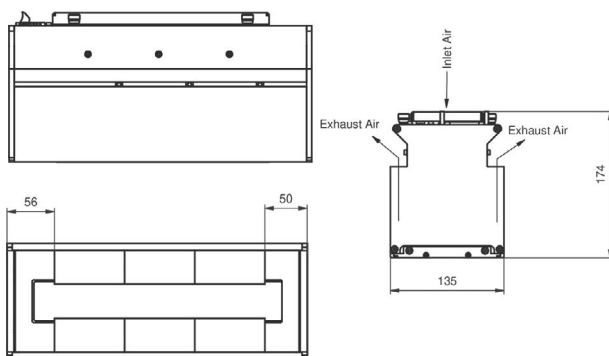
- Digital PLC interface
- Serial RS422 interface
- Supply voltage: 48 - 55 V DC
- Power control max. 5 - 100 % (device dependent)
- Integrated air cooling
- Integrated diagnostics function
- Cyclic operation in the milliseconds range possible

TECHNICAL DATA

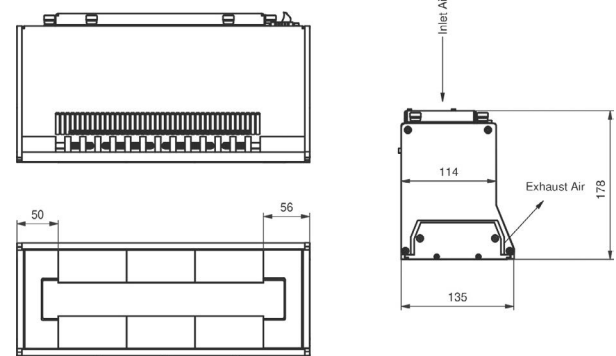
LED service life	> 20.000 hours*			
Cooling	Air cooled			
Irradiated area / Light aperture in mm:	82 - 656 x 20 82 - 492 x 40 other lengths in 41mm grid steps			
Wavelengths in nm Intensity in mW/cm ² **	20 mm version:			
	365	385	395	405
	10.000	20.000	20.000	20.000
Wavelengths in nm Intensity in mW/cm ² **	40 mm version:			
	365	385	395	405
	6.000	16.000	16.000	16.000

* typical service life under standard environmental conditions

** measured by Hönle LED sensors for UV meter



jetCURE LED T with cooling air outlet at both sides



jetCURE LED S with one-sided cooling air outlet

Hoenle AG
Nicolaus-Otto-Str. 2
82205 Gilching
Germany

Phone: +49 8105 2083-0
curing@hoenle.com

www.hoenle.com



DIN EN ISO 9001
DIN EN ISO 14001