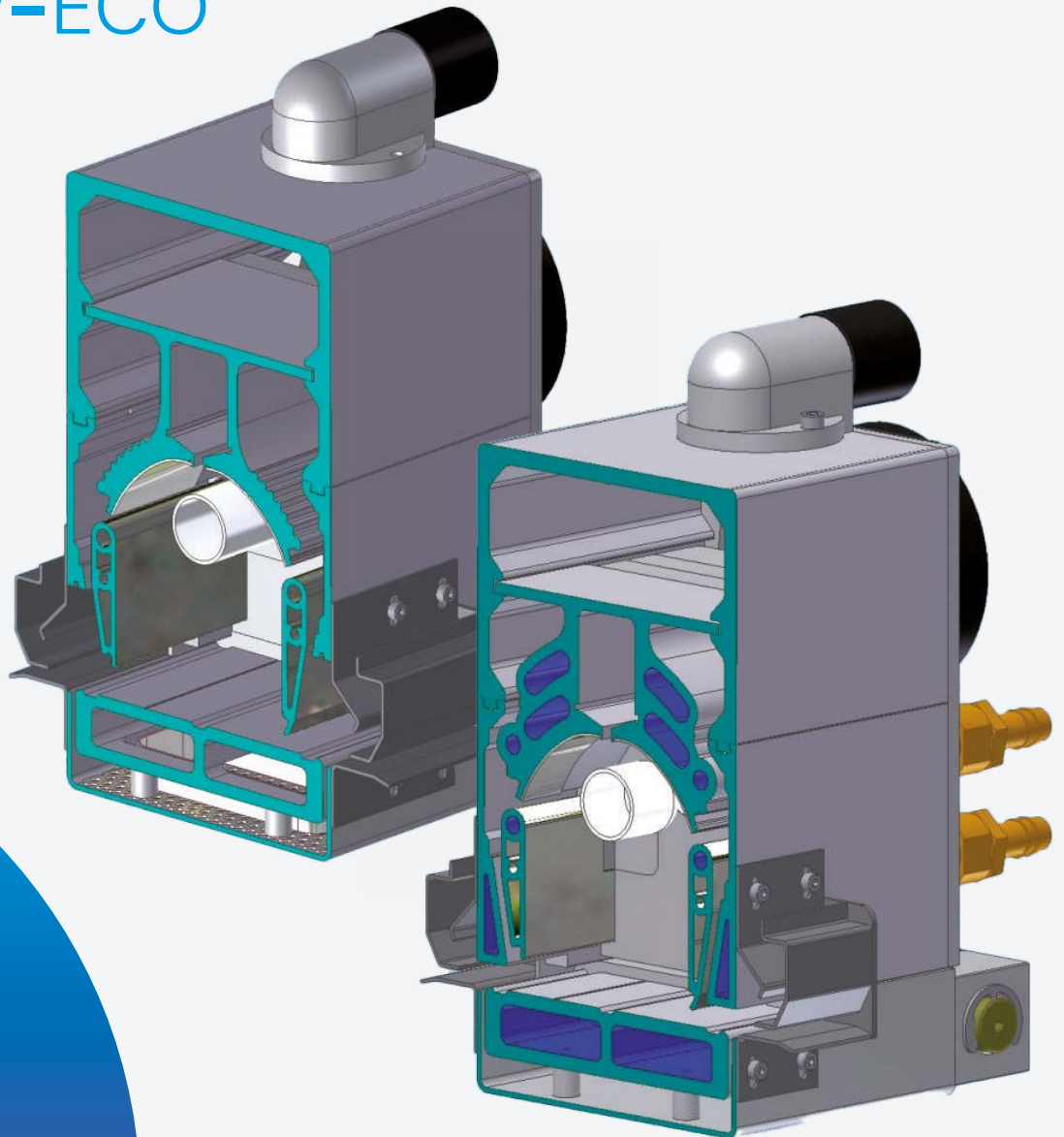


PC-1-A-ECO PC-2-W-ECO



UV CURING SYSTEM

ECO – the new generation

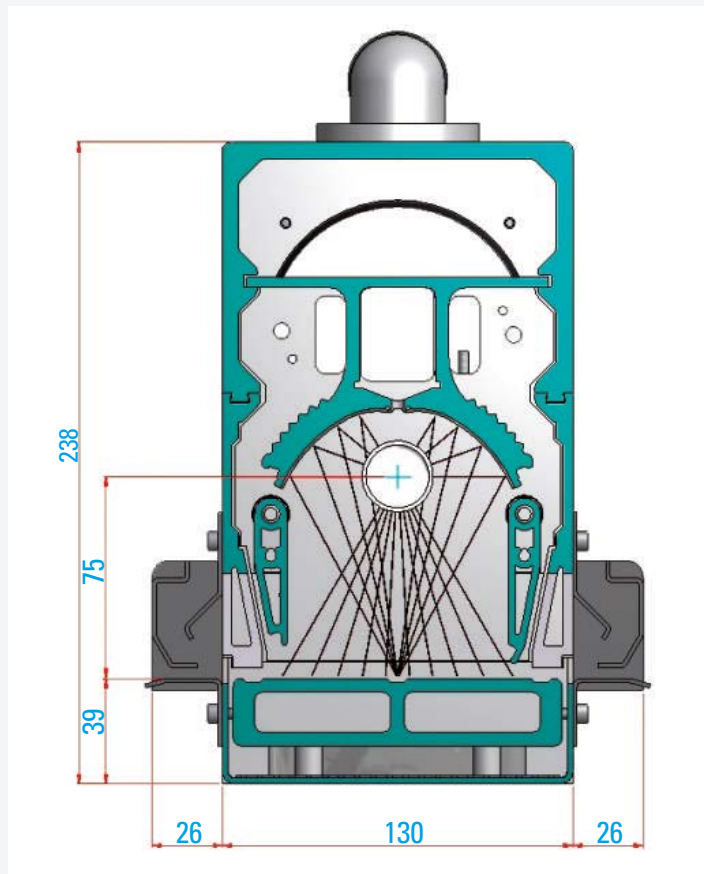
FEATURES

- newly developed, highly reflecting cold light mirrors
- special coating on the shutters
- electronic control ballasts with high efficiency

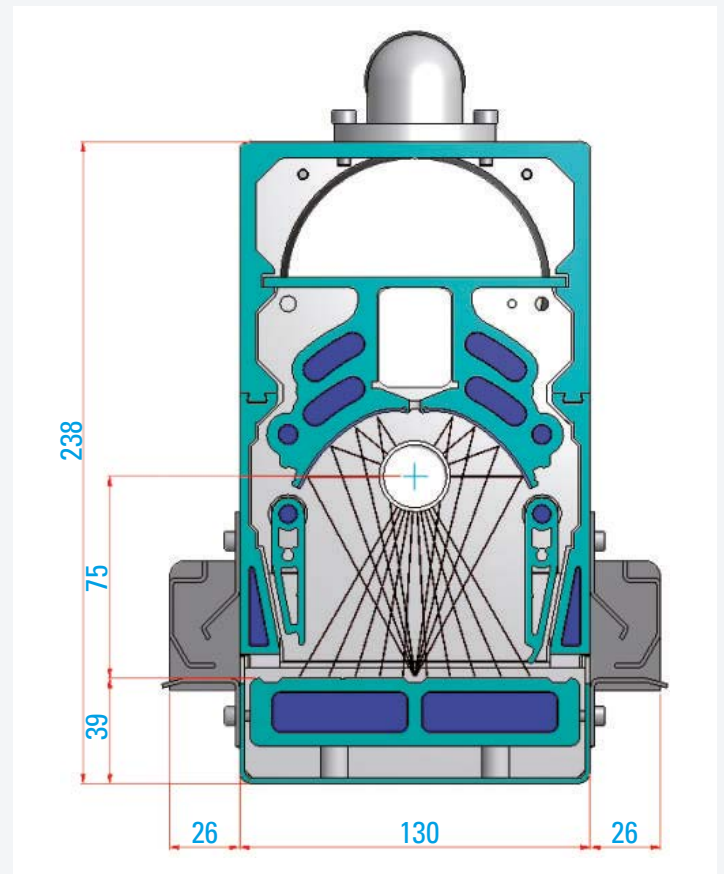
BENEFITS

- up to 30 % more UV power on the substrate

PC-1-A-ECO



PC-2-W-ECO



AIR COOLED UV CURING SYSTEM

- patented geometry of reflectors for high UV output
- high energy efficiency
- low energy consumption
- patented cassette system
- for narrow web and label printing

WATER COOLED UV CURING SYSTEM

- patented water cooling
- symmetric water flow in alu profiles, reflectors and heat sink
- low substrate temperature
- long life of UV lamps
- for all rotative applications with web widths from 450 up to 2.800 mm

Hoенle WebCure GmbH
 Philipp-Jakob-Manz-Str. 18
 72664 Kohlberg
 Germany

Phone: +49 7025 91277-0
 curing@hoenle.com

www.hoenle.com